

WOLF CKL EVO COMPACT VENTILATION UNIT

FAST & PERFECT FROM PLANNING TO INSTALLATION



PERFECTLY IN TUNE WITH YOU.



THE BENCHMARK FOR COMPACT UNITS - NEW AND IMPROVED

CKL EVO

EVEN MORE POSSIBILITIES FROM THE INITIAL CONCEPT

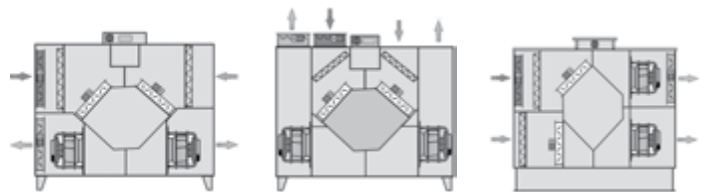
The highest quality and hygienic standards, unparalleled compactness combined with intelligent ease of installation - properties that already make the CKL compact device series a success. And the EVOLution begins: With practical, state-of-the-art new features and increased performance values, WOLF has completely revised the product series.

Thanks to the outstanding achievements of our development engineers: Higher air handling rates at the same or smaller appliance dimensions compared with the previous product line.

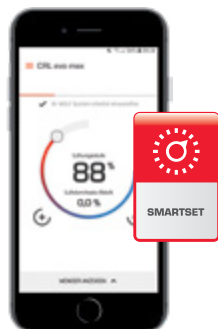


Numerous extension options:

- Expanded integrated control
- Even more accessories
- Increased heating output
- Equipped to satisfy all standards:
 - Double filter and pocket filter module
- Monitoring of the system with simple Smartset access via app and PC



Available with horizontal or vertical duct connection and as outdoor unit



PLANNED IN 5 MINUTES WITH THE 5-MINUTE COMPACT CONFIGURATOR

Exporting of:

- 2D and 3D drawings
- Technical data
- BIM data



konfig.wolf.eu/cweb

Custom-built in
13 business days

THE BENCHMARK FOR COMPACT UNITS - NEW AND IMPROVED.

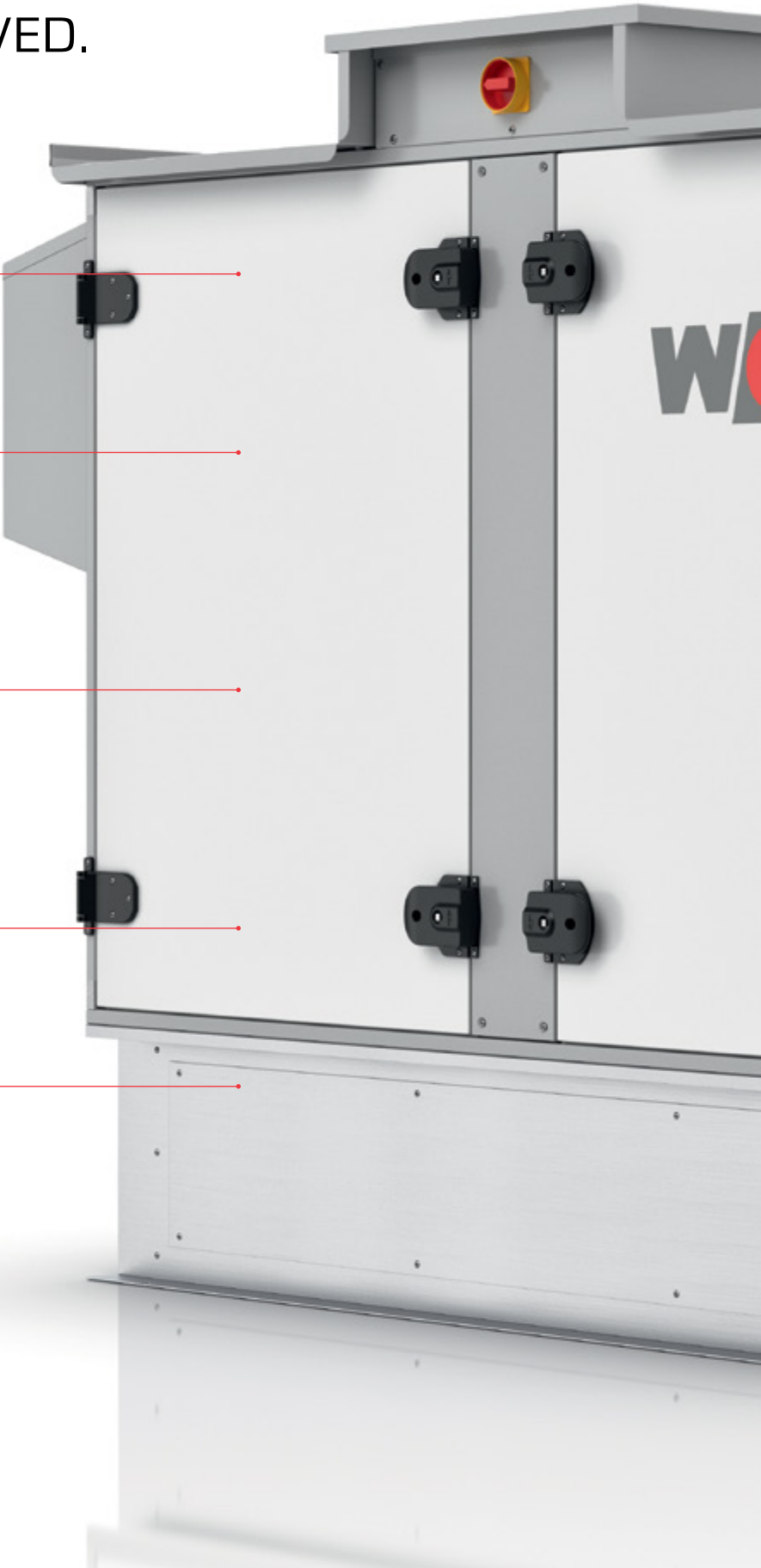
TOP-CLASS PLUG & PLAY

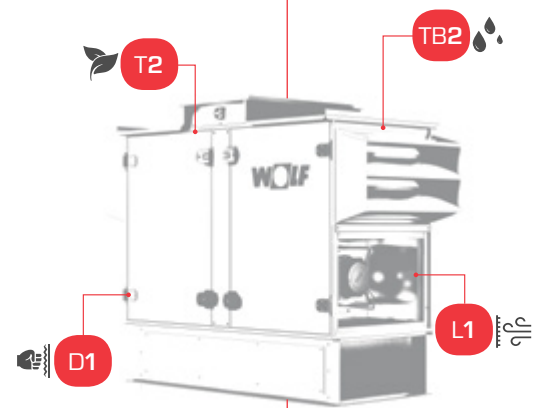
HIGHEST QUALITY AND
HYGIENE STANDARDS

ADDITIONAL CONTROL
FUNCTIONS

EXTENSIVE ACCESSORIES
AVAILABLE

SHORT DELIVERY TIMES





**STANDARD
POWDER-COATED
CASING IN WHITE (RAL 9016)**

IMPROVED CASING PROPERTIES
Best casing values as per DIN EN 1886:
Thermal insulation: T2
Thermal bridge factor: TB2
Mechanical stability D1
Leakage: L1

**DEVELOPED FOR HYGIENIC, EFFICIENT OPERATION
AND SIMPLE MAINTENANCE**

Hygienic & orderly

Unique: **Cable harness** in the **back wall** for smooth surfaces in the appliance



Manometer tubing within the door



Double filter stage for maximum hygiene



Maximum efficiency in bypass mode thanks to Ice Protect Technology



Eurovent and RLT certified as standard, VDI 6022 compliant

Simple operation

New **touch control unit** for operating the entirely integrated control

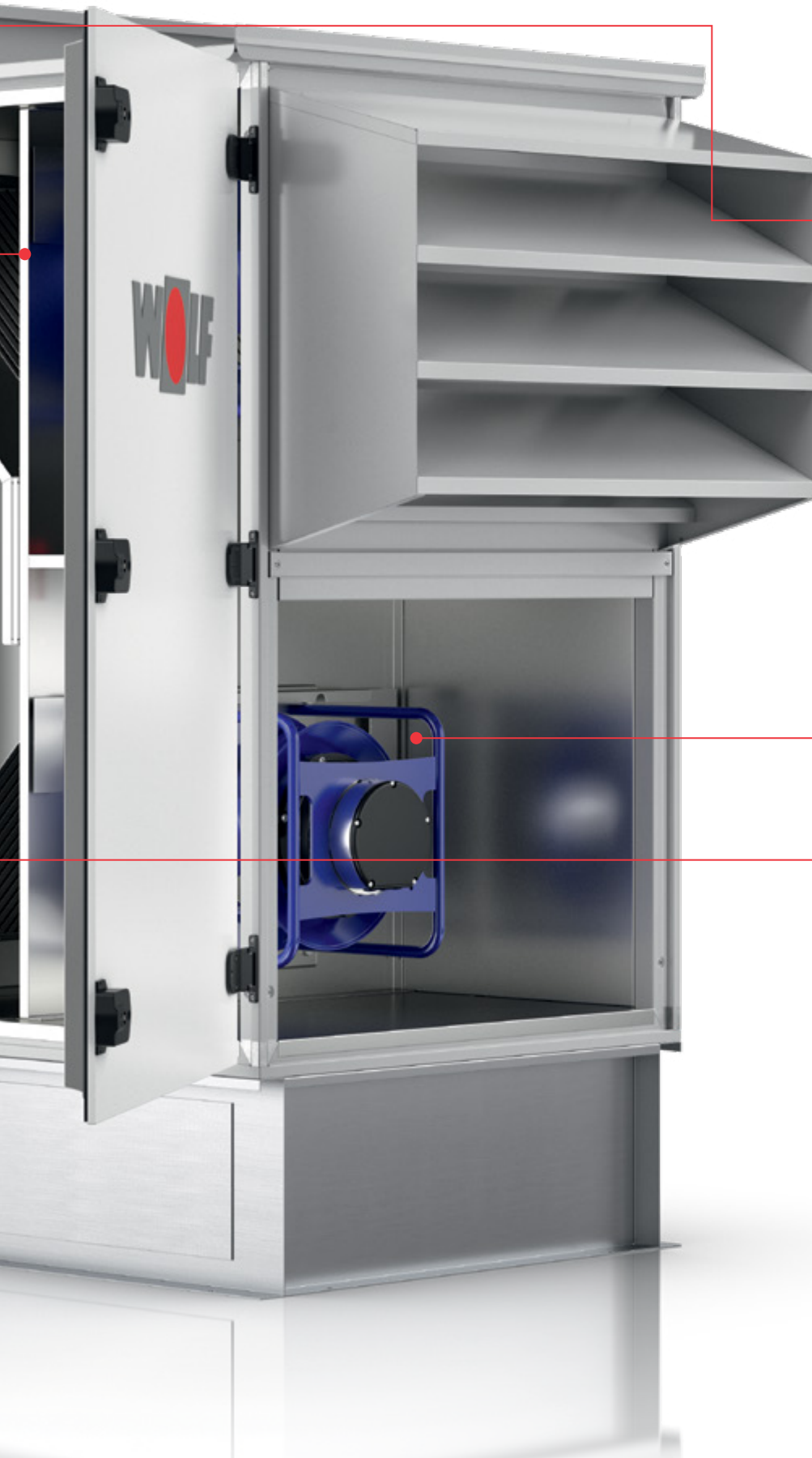
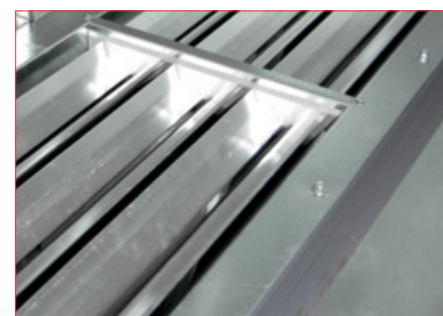


Maximum efficiency

Fans of the **newest generation**

Boost damper

Unique operating modes for the very highest efficiency through clever use of circulating air with the **boost damper**



BY PERFECTIONISTS FOR EXPERTS
THE MOST INSTALLATION-FRIENDLY UNIT ON THE MARKET



Extremely compact dimensions



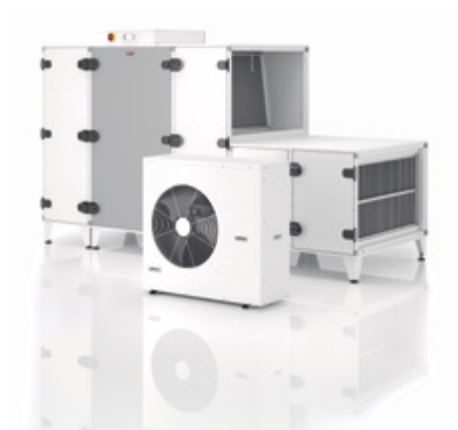
Unique lengthwise separation for easy transport of the larger CKL 4700 evo and CKL 6100 evo indoor units



Easy lifting makes handling at the construction site child's play



No need to drill holes in outdoor units for running supply lines



Heating - cooling - ventilation in a single package. The Clima Split system is easy to expand and can be installed in just a few steps.



EASY LIFTING



QUALITÄT - SICHERHEIT - ZUKUNFT

MADE IN GERMANY BY WOLF

CKL-iH/-iV-1400 EVO CKL-iH/-iV-2400 EVO CKL-iH/-iV-3300 EVO CKL-iH/-iV-4700 EVO CKL-iH/-iV-6100 EVO

Length*	mm	1525	2033	2033	2237	2237
Depth	mm	750	750	950	1360	1665
Total height	mm	1309 / 1315	1716 / 1720	1716 / 1720	1716 / 1424	1716 / 1424
Duct connection	mm	Li 612x409 / 596x206	Li 612x612 / 596x307	Li 815x612 / 799x307	Li 1222x612 / 1222x356	Li 1527x612 / 1527x356
Weight of basic unit	kg	250	360	450	645	725
Nominal flow rate	m ³ /h	1400	2400	3300	4700	6100

*With/without boost damper

CKL-A-1400 EVO CKL-A-2400 EVO CKL-A-3300 EVO CKL-A-4700 EVO CKL-A-6100 EVO

Length*/**	mm	1525	2033	2033	2237	2237
Depth (incl. roof)	mm	815	815	1017	1425	1730
Total height	mm	1455	1860	1860	1860	1860
Duct connection	mm	Li 612x409	Li 612x612	Li 815x612	Li 1222x612	Li 1527x612
Weight	kg	315	460	555	715	800
Nominal flow rate	m ³ /h	1400	2400	3300	4700	6100

*With/without boost damper

**Without hoods

04.20/GB - Subject to modifications

WOLF GmbH
Postfach 1380
84048 Mainburg, Germany

Tel. +49(0)8751/74-0
Fax +49(0)8751/74-1600

www.WOLF.eu
info@WOLF.eu

PERFECTLY IN TUNE WITH YOU.

