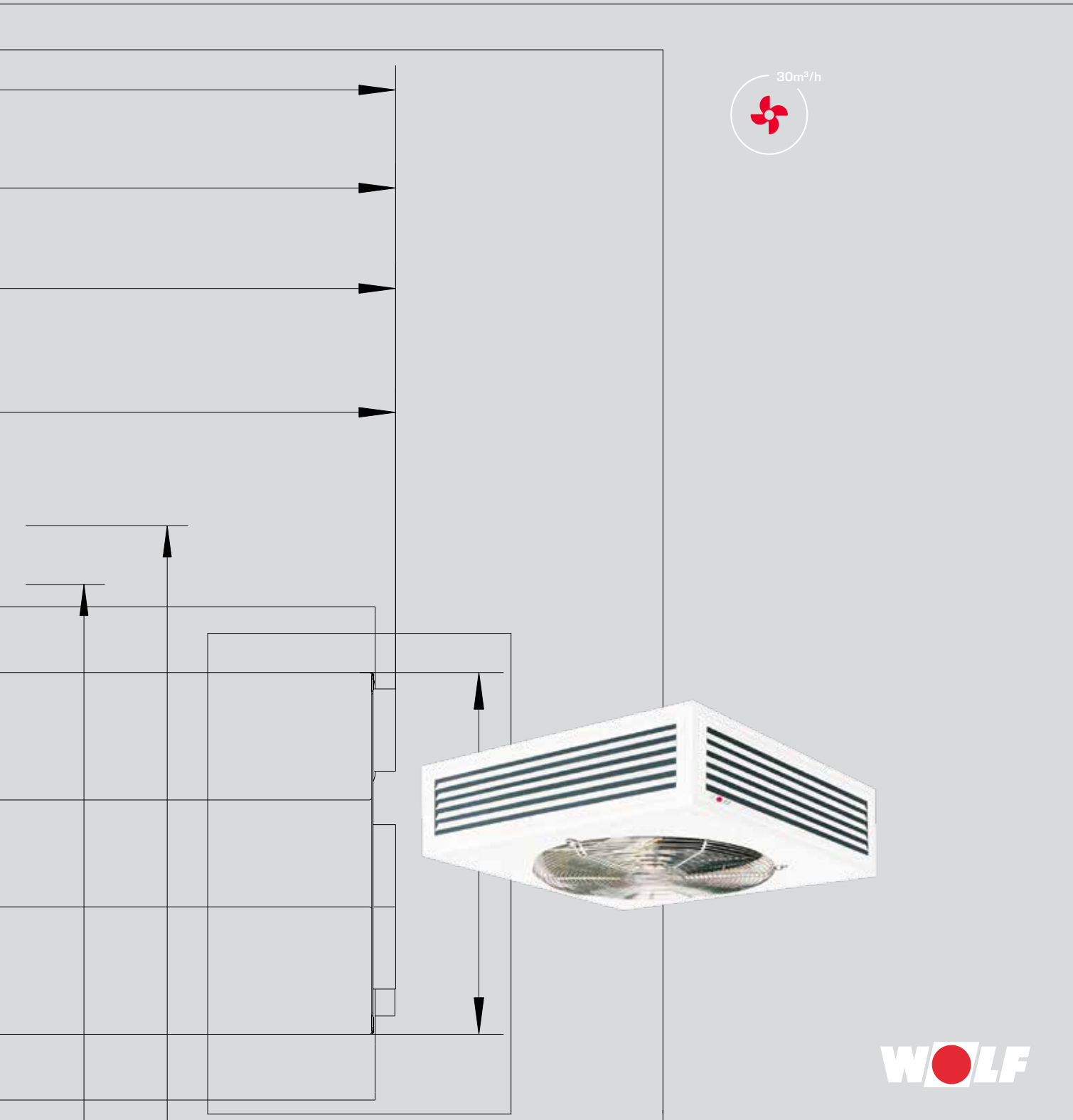
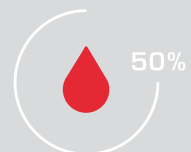


TECHNICAL DOCUMENTATION

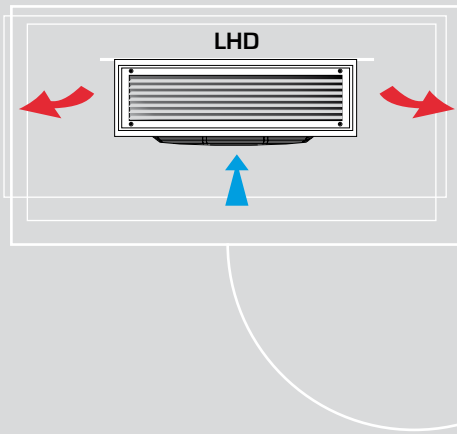
WOLF AIR HEATERS

LHD



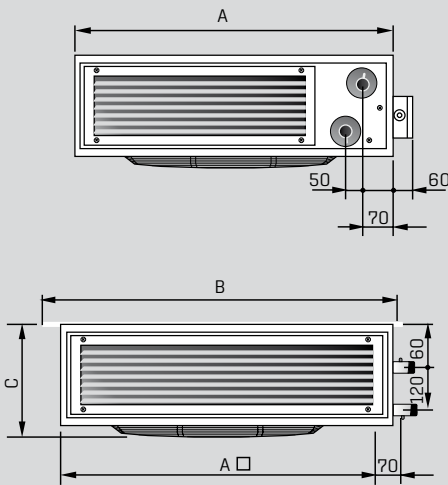
LHD AIR HEATERS

DESCRIPTION



- Air heaters for mounting directly to the ceiling
- For use in sales rooms, workshops, warehouses, garages, etc.
- Welded, zinc-plated sectional frame with powder coating
- Adjustable discharge fins for directing the warm air stream
- Quiet axial fan
- 2 unit sizes with a flow rate of up to 4800 m³/h and a heating output of up to 42 kW
- Horizontal air discharge - particularly suitable for rooms with low ceilings
- Air intake from the room

SPECIFICATION



TYPE		LHD 40	LHD 63
Dimensions	A mm	630	800
	B mm	718	900
	C mm	280	280
Water capacity	l	1.5	2.0
Weight	kg	35	50
Connection (male thread)	R	1"	1"
Three-phase motor			
Rated output	kW	0.2	0.2
Rated voltage	V	3 x 400	3 x 400
Rated current	A	0.85	0.85
Frequency	Hz	50	50
Speed	rpm	900	900
IP rating	IP	54	54
ISO class		F	F

SWITCHING UNIT		D1-2	DS-2	D5-1	D5-3	D5-7	D5-12	D3-4
Operating voltage	V	3x400	3x400	3x400	3x400	3x400	3x400	3x400
Control voltage	V	230	230	230	230	230	230	230
Max. output	kW	3	4	-	-	-	-	-
Max. current	A	-	-	1.0	2.0	4.0	7.0	4.0
IP rating	IP	54	54	40	20	20	20	20
Length	mm	170	170	200	310	310	310	300
Width	mm	105	105	150	230	230	230	230
Height	mm	135	135	175	185	185	185	165
Weight	kg	0.9	0.9	4.5	7.0	9.0	19.0	8.0

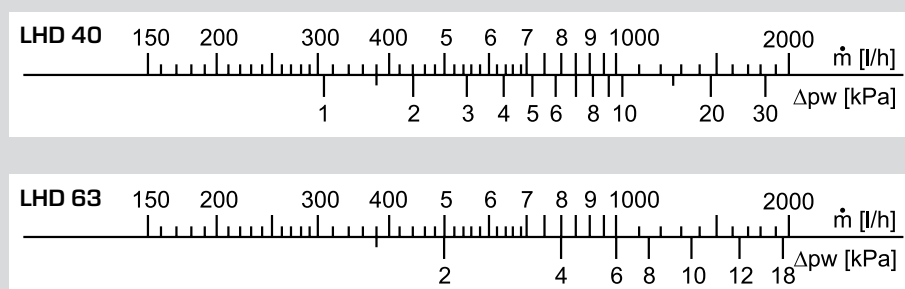
LHD AIR HEATERS TYPE OVERVIEW

PERFORMANCE TABLE

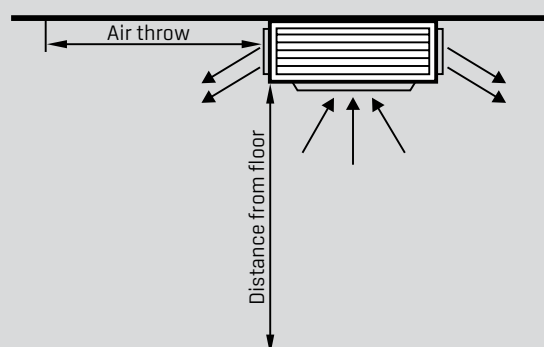
TYPE	LHD 40				LHD 63				
	900 rpm		700 rpm		900 rpm		700 rpm		
Speed	900 rpm		700 rpm		900 rpm		700 rpm		
Flow rate	2200 m ³ /h		1700 m ³ /h		4800 m ³ /h		3700 m ³ /h		
Heating medium	t _{on} °C	Q kW	t _{off} °C	Q kW	t _{off} °C	Q kW	t _{off} °C	Q kW	
PWW 60/50	+ 5	16.5	27	14.0	29	28.3	22	24.3	24
	+ 10	14.5	30	12.4	31	25.1	25	21.5	27
	+ 15	12.7	32	10.8	34	22.0	29	18.9	30
	+ 20	10.8	35	9.3	36	18.9	32	16.2	33
PWW 70/50	+ 5	16.8	27	14.4	29	29.5	23	25.4	25
	+ 10	15.0	30	12.8	32	26.3	26	22.6	28
	+ 15	13.2	33	11.2	35	23.2	29	20.0	31
	+ 20	11.3	36	9.7	37	20.0	33	17.3	34
PWW 80/60	+ 5	20.6	32	17.6	35	35.8	26	30.8	29
	+ 10	18.8	35	16.0	37	32.6	30	28.0	32
	+ 15	16.9	38	14.4	40	29.4	33	25.3	35
	+ 20	15.0	41	12.8	42	26.3	36	22.6	38
PWW 90/70	+ 5	24.4	37	20.7	40	42.1	30	36.1	33
	+ 10	22.5	40	19.2	43	38.8	34	33.3	36
	+ 15	20.5	43	17.5	46	35.6	37	30.6	40
	+ 20	18.7	46	16.0	48	32.5	40	27.9	43

Application limits: Flow temperature up to 95 °C
Ambient temperature up to 40 °C

WATER PRESSURE DROP



TECHNICAL INFORMATION



TYPE		LHD 40	LHD 63
Speed	rpm	900	900
Max. air throw	m	3.6	4.0
Max. distance from floor	m	2.5	3.0
Sound pressure level*	dBA	52	57

*Room volume 1500 m³; average absorption; distance to intake 5 m.

Dealer address

WOLF GMBH / P.O. BOX 1380 / D-84048 MAINBURG / TEL. +49.0.875174-0 / FAX +49.0.875174-1600 / www.WOLF.eu

